


Vista Threshold End



Compliance to standards	<p>ICAO: International Civil Aviation Organization, Aerodromes, Annex 14, Vol. 1</p> <p>IEC TS 61827: Electrical installations for lighting and beaconing of aerodromes. Characteristics of inset and elevated luminaires used on aerodromes and heliports</p>								
Application	<p>The VISTA design has been done in such way as to provide maximum safety. It is a reliable and flexible product, being easy to fit into any kind of infrastructure.</p>								
Features	<p>Designed and built with simplicity and ease of maintenance in mind. High power LED technology Lightweight, low-energy and environment friendly lighting fitting. Extensive use of aluminium alloys reduces fitting weight and eases handling in the field.</p>								
Product Code	<p>AL - 156 - 04 - GR/RE</p> <table data-bbox="555 1682 1417 1832"> <tr> <td>Series Indicator (Airfield Lighting)</td> <td>AL</td> </tr> <tr> <td>Product Indicator</td> <td>156</td> </tr> <tr> <td>LEDs Number</td> <td>04</td> </tr> <tr> <td>LEDs Light Colour (green/red)</td> <td>GR/RE</td> </tr> </table>	Series Indicator (Airfield Lighting)	AL	Product Indicator	156	LEDs Number	04	LEDs Light Colour (green/red)	GR/RE
Series Indicator (Airfield Lighting)	AL								
Product Indicator	156								
LEDs Number	04								
LEDs Light Colour (green/red)	GR/RE								

<p>Description</p>	<p>Housing - Powder coated aluminium RAL 1004 (aviation yellow) ●</p> <p>Dispenser - clear polycarbonate</p> <p>Cable gland - nickel plated brass</p> <p>Fasteners - stainless steel</p> <p>Light fixtures are provided with anti condensation valve.</p>
<p>Environment</p>	<p>Temperature range: - 55° to +55°</p> <p>Degree of protection: IP X8</p> <p>Ka tested: Salt mist</p>
<p>Mounting</p>	<p>Mounted on Ø260mm Base with Frangible Coupling</p> 

Electrical Characteristics

Power consumption:

Low intensity- 5W
 Medium intensity- 5W

Power supply:

90-230V, 50/60HZ - non dimmable
 1.4A DC- dimmable: 100%, 30%, 10%

Electrical Connections

Types of power supply:

230V AC directly from mains power supply

Live (brown)

Neutral (blue)

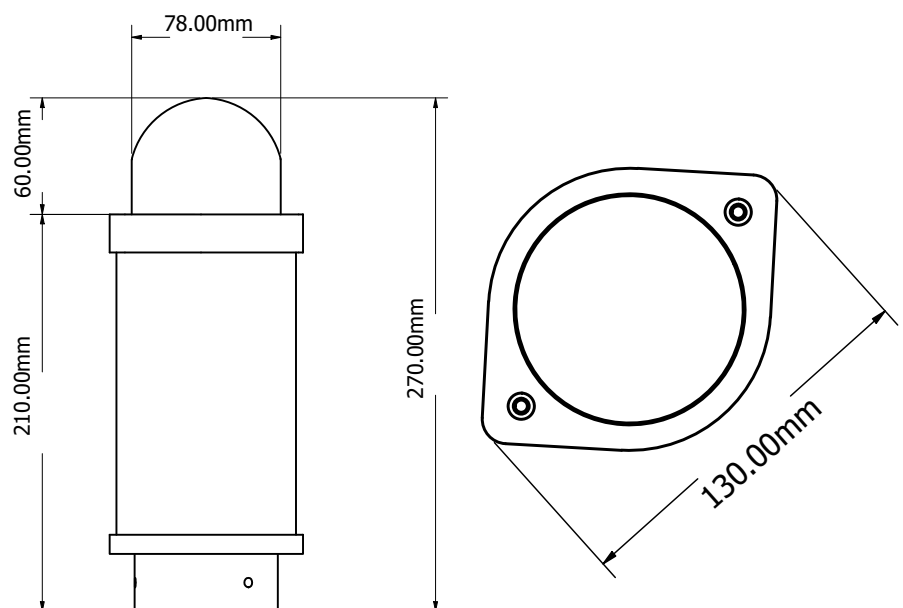
Ground (green/yellow)

1.4A DC power supply from controller with 2 core cable

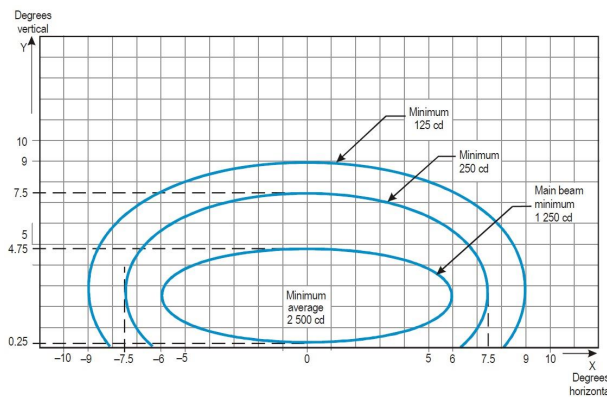
V+ (red mark)

V- (blue mark)

Mechanical Characteristics

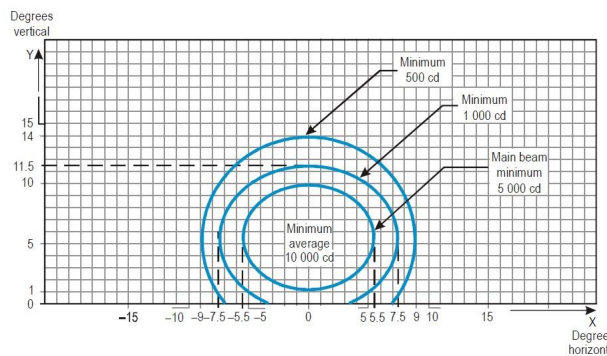


Photometric Characteristics



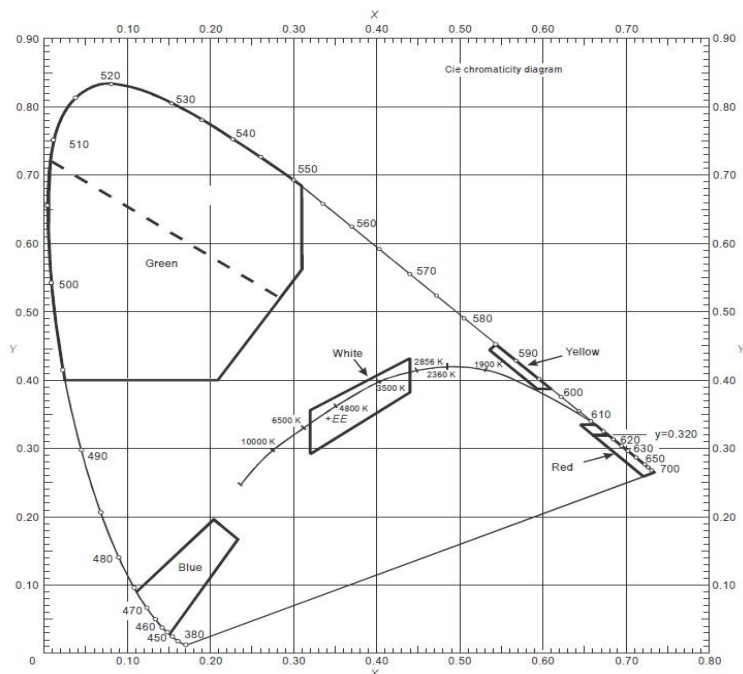
ICAO requirements Annex 14
Vol.1 Fig. A2-8.
RED

Low intensity: 10%
Average main beam 250cd
Medium intensity: 30%
Average main beam 750cd



ICAO requirements Annex 14
Vol.1 Fig. A2-3.
GREEN

Low intensity: 10%
Average main beam 1000cd
Medium intensity: 30%
Average main beam 3000cd



The measured trichromatic coordinates correspond to colour range requirements in:

ICAO Annex 14 - Aerodromes Vol.1, Fig. A1-1b. Colours for aeronautical ground lights

To order accessories please call our customer support.

Accessory

#	NAME - SERIES	PRODUCT CODE	IMAGE
1	Φ32 mm Coupling Tube	AL-100-AX	
2	Frangible Coupling	AL-101-AX	
3	Φ260mm Base Plate	AL-102-AX	
4	Mounting Flange	AL-103-AX	
5	ElectroMax Standard Φ160mm Shallow Base	AL-104-AX	
6	Adapter Ring for 8" Shallow Base	AL-105-AX	
7	Φ160mm Surface Mounted Base	AL-106-AX	
8	IP68 Electrical Junction Box	AL-107-AX	
9	Φ160mm Shallow Base Installation Jig	AL-108-AX	
10	Cable with connector KDC501 EFLA	AL-122-AX	

als



Airfield Lighting Systems UK Ltd

Aviation House, Russell Gardens, Wickford, Essex, SS11 8BF, UK

www.airfieldlightingsystems.co.uk

sales@alsukltd.co.uk

Phone +44 (0)1702 547562