

**BP Series
 Ultra Slim LED Signs**



FEATURES

- Low weight aluminum alloy profile frame with 44mm thickness ultrathin design
- Solid and robust structure withstand wind velocities of 480km/h
- UV resistant front panel, strong weatherability, impact resistance and high durability
- UV spray painting, clear text, no fading or falling off
- Soft and uniform side illuminance with no glaring
- Low energy consumption LED strip on the top brings high heat dissipation and prolongs the life span of the light source
- Suitable for all types of CCRs, outputting constant intensity under 2.8–6.6A

CAAC • MH/T 6011–2015
 ICAO • Annex 14 Volume I

FAA • AC 150/5345–44
 AENA • DIN/DSEYN/PPT/022

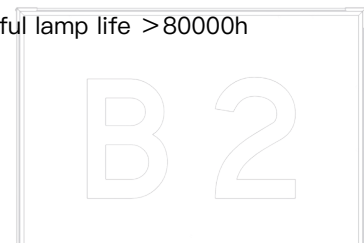
TECHNICAL DATA

ENVIRONMENTAL

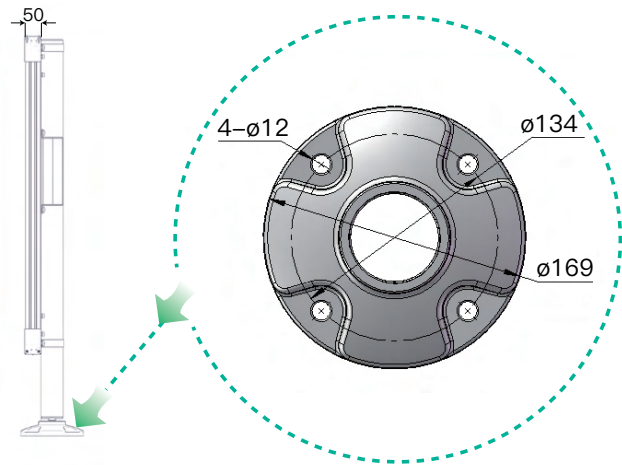
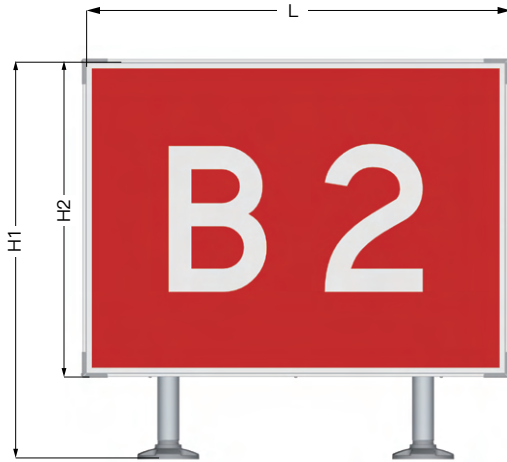
Operating Temperature • – 55°C~+55°C Protection Class • IP54 Humidity • 0~100%

ELECTRICAL

Rated Input Current • 6.6A Power • 35W/m² Power Factor • >0.95
 Emission • IEC 61000–6–4 Immunity • IEC 61000–6–2 Service Life • LED useful lamp life >80000h



DIMENSIONS



Legend height (mm)	Installed height H1(mm)	Face hight H2(mm)	Width L(mm)
200	700	450	650 ~ 3000
300	900	650	950 ~ 3000
400	1100	850	1250 ~ 3000

PHOTOMETRICS

Characteristic	Standard Requirement (cd/m ²)	Typical Value (cd/m ²)
Average luminance (Red)	≥30	41
Average luminance (Yellow)	≥150	240
Average luminance (White)	≥300	360
Ratio between Max. and Min. luminance	≤5:1	1.9:1
Luminance ratio	between 1: 5 and 1: 10	1: 7.3

Airfield Lighting Systems (UK) Limited
Aviation House, Russell Gardens,
Wickford, Essex, SS11 8BF UK

Tel: +44 1702 547562
Email: sales@alsukltd.co.uk
Website: www.alsukltd.co.uk

ORDERING CODES

