

## ERB Series LED Bidirectional Elevated Lights

- RB/E-C Runway Edge  
With Circling Guidance
- RB/E Runway Edge
- THRE/E Runway Threshold  
and Runway End



### FEATURES

- Adaptable to all kinds of CCRs and ILCMS systems
- PWM digital regulation providing excellent consistency of chromaticity
- Integrated optical module with high light efficacy and good consistency
- Omnidirectional beam available for elevated runway edge light
- High pressure precision casting aluminum alloy light body with anti-UV coating
- Built-in surge protection
- Specially designed fail open system suitable for strong magnetism, vibration and other environments

- |                             |                          |
|-----------------------------|--------------------------|
| ICAO • Annex 14 Volume I    | FAA • AC 150/5345-46     |
| EASA • CS-ADR-DSN           | • EB NO.67               |
| CAAC • AC-137-CA-2015-01-R1 | IEC • TS 61827           |
| • AC-137-CA-2015-03-R1      | AENA • DIN/DSEYN/PPT/015 |
|                             | • DIN/DSEYN/PPT/016      |

### TECHNICAL DATA



#### MECHANICAL

Flange Mounting Holes • 3xØ12      Net Weight • 4kg      Gross Weight • 4.2kg

Packing Dimensions • 240mm (L) x 240mm (W) x 240mm (H)



#### ENVIRONMENTAL

Operating Temperature • - 55°C~+85°C      Storage Temperature • - 55°C~+85°C      Protection Class • IP65      Humidity • 0~100%

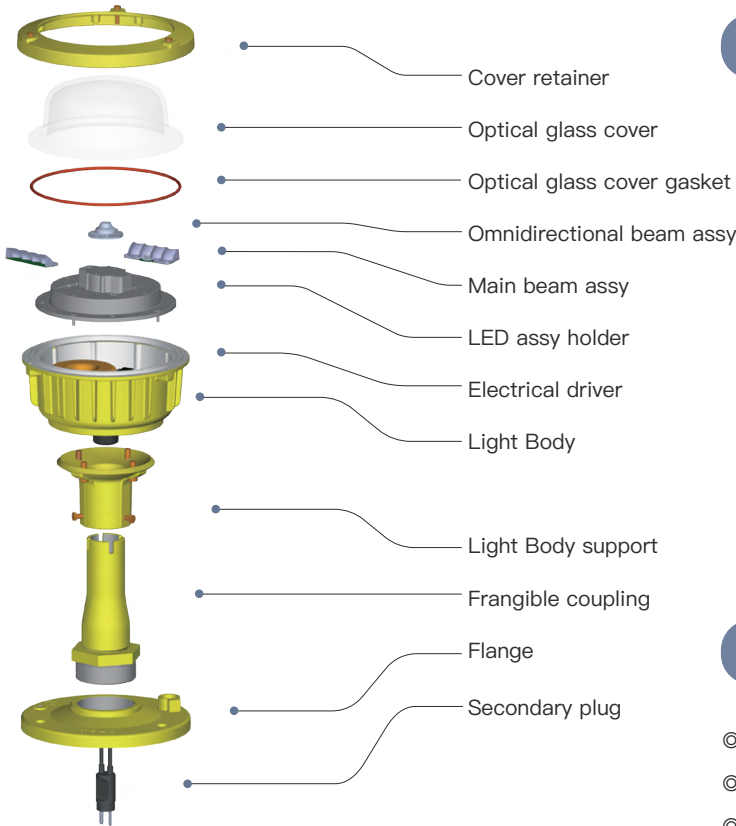


#### ELECTRICAL

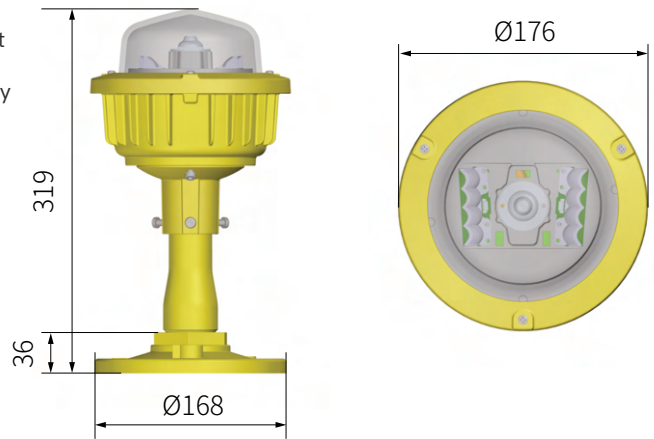
Connection • FAA L-823	Rated Input Current • 6.6A	Power Factor • >0.95
Emission • IEC 61000-6-4	Immunity • IEC 61000-6-2	Service Life • LED useful lamp life > 80000h
Runway Edge-White/White-C • 35VA (1P)	Runway Edge-White/Red-C • 27VA (1P)	Runway Edge-Yellow/Red-C • 25VA (1P)
Runway Edge-White/Yellow-C • 35VA (1P)	Runway Threshold and Runway End • 36VA (1P) • 28/13VA (2P)	
Runway Edge-White/White • 33VA (1P) • 19/19VA (2P)	Runway Edge-White/Red • 27VA (1P) • 19/13VA (2P)	
Runway Edge-White/Yellow • 33VA (1P) • 19/19VA (2P)	Runway Edge-Yellow/Red • 27VA (1P) • 19/13VA (2P)	



COMPONENTS



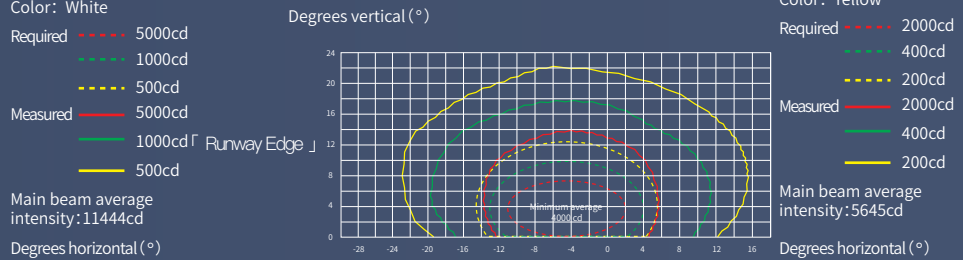
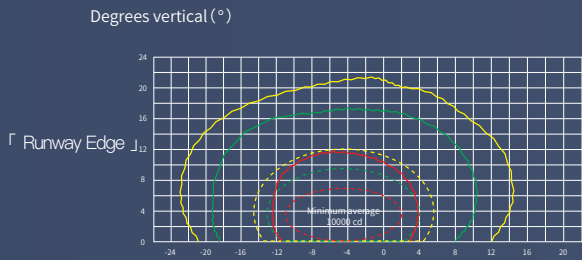
DIMENSIONS



ACCESSORIES

- ◎ Flange (168mm OD)
- ◎ Flange (240mm OD)
- ◎ Flange (300mm OD)
- ◎ 2-1 inches frangible coupling
- ◎ L-823 receptacle

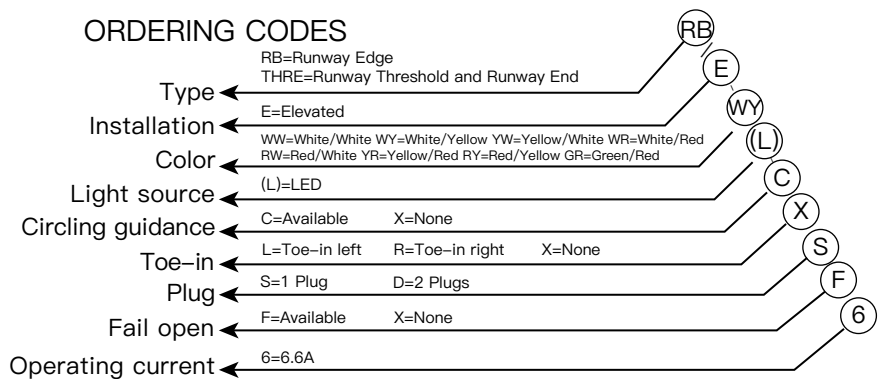
PHOTOMETRICS



Airfield Lighting Systems (UK) Limited  
Aviation House, Russell Gardens,  
Wickford, Essex, SS11 8BF UK

Tel: +44 1702 547562  
Email: sales@alsukltd.co.uk  
Website: www.alsukltd.co.uk

ORDERING CODES



\* Accessories should be ordered separately