

als

IEO series 8" LED Inset Lights



- SG/IN-B Taxiway Edge
- SG/IN-Y & SG/IN-R Aircraft Stand Manoeuvring Guidance



ICAO: Annex 14 Volume I
EASA: CS-ADR-DSN
IEC: TS 61827
AENA: DIN/DSEYN/PPT/019

FAA: AC 150/5345-46
EB No. 67

CAAC: AC-137-CA-2015-01-R1
AC-137-CA-2015-03-R1

Features

- Aluminum alloy forged top cover protects prisms against bar impact and high load from vehicles and aircrafts
- Low protrusion of 6 mm above ground level
- Adaptable to all kinds of CCRs and ILCMS systems
- PWM digital regulation providing excellent consistency of chromaticity
- Built-in surge protection
- Specially designed fail open system suitable for strong magnetism, vibration and other

Environmental

- Operating Temperature (°C): - 55 ~ +85
- Storage Temperature (°C) : - 55 ~ +85
- Protection Class: IP68
- Humidity: 0~100%

Mechanical

- Packing Dimensions: 253mm (L) x 223mm (W) x 107mm (H)
- Mounting: 2 x M10 bolts
- Static Load Resistance: ≥20t
- Net Weight: 3.5kg
- Gross Weight: 3.7kg

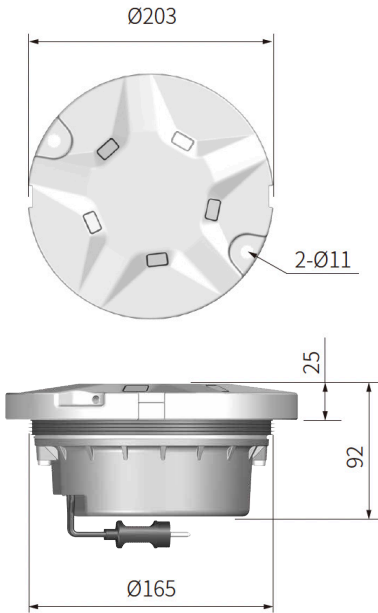
Electrical

Connection: FAA L-823
Service Life: LED useful lamp life>80000h
Immunity: IEC 61000-6-2
Emission: IEC 61000-6-4
Aircraft Stand Manoeuvring Guidance: 24VA
Taxiway Edge: 9VA
Power Factor: > 0.98
Rated Input Current: 6.6A

**Airfield Lighting Systems
UK Ltd**

IEO series 8" LED Inset Lights

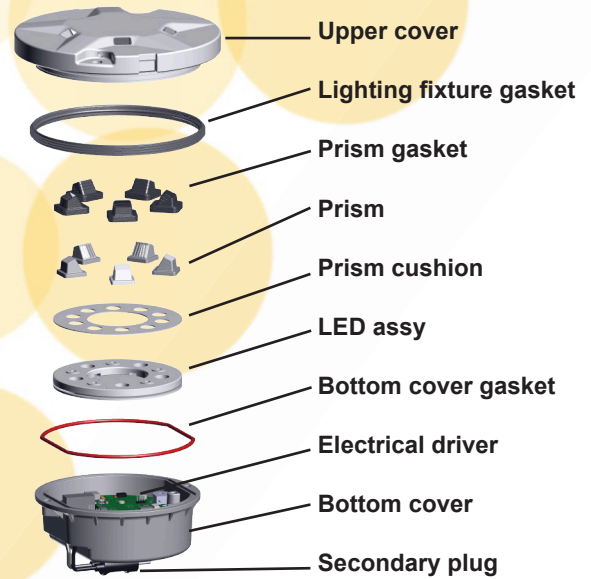
Dimensions



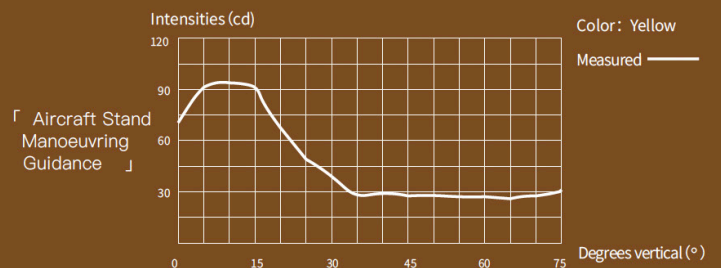
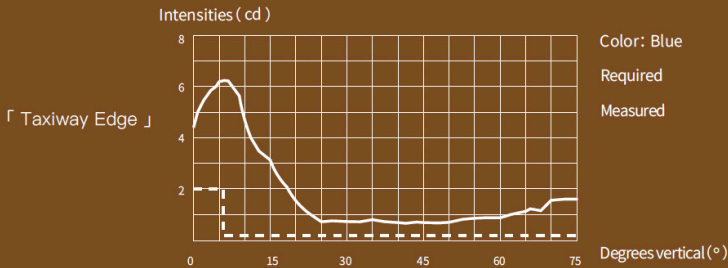
Accessories

- 8 inches shallow base assy (bottom entry/side entry)
- 12 inches shallow base assy (bottom entry/side entry)
- 12 inches deep base assy
- 8-12 inches adapter ring assy
- L-823 receptacle
- 8 inches light fixture handle

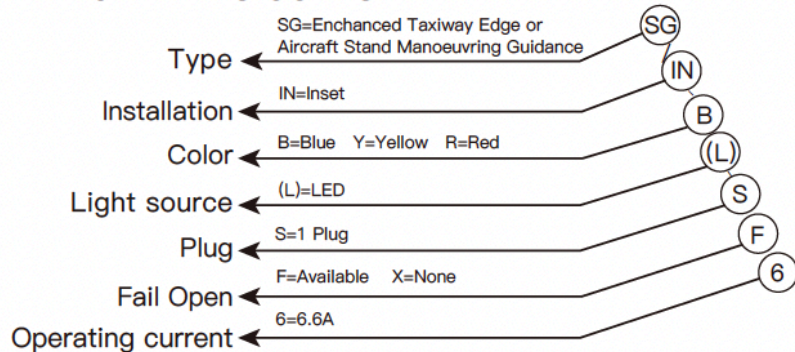
Components



PHOTOMETRICS



ORDERING CODES



* Accessories should be ordered separately