

ITO series 8" LED Inset Lights

- TE/IN-B Taxiway Edge
- TE/IN-Y Aircraft Stand Manoeuvring Guidance



ICAO • Annex 14 Volume I
EASA • CS-ADR-DSN
IEC • TS 61827
AENA • DIN/DSEYN/PPT/019

FAA • AC 150/5345-46
• EB No. 67
CAAC • AC-137-CA-2015-01-R1
• AC-137-CA-2015-03-R1

FEATURES

- Low protrusion of 6.3mm above ground level
- Adaptable to all kinds of CCRs and ILCMS systems
- PWM digital regulation providing excellent consistency of chromaticity
- Aluminum alloy forged top cover with hardened surface and corrosion resistance treatment
- Built-in surge protection
- Specially designed fail open system suitable for strong magnetism, vibration and other environments

TECHNICAL DATA



MECHANICAL

Mounting • 2 x M10 bolts

Static Load Resistance • $\geq 18t$

Net Weight • 3.5kg

Gross Weight • 3.7kg

Packing Dimensions • 253mm (L) x 223mm (W) x 107mm (H)



ENVIRONMENTAL

Operating Temperature • $-55^{\circ}\text{C} \sim +85^{\circ}\text{C}$

Storage Temperature • $-55^{\circ}\text{C} \sim +85^{\circ}\text{C}$

Protection Class • IP68

Humidity • 0~100%



ELECTRICAL

Connection • FAA L-823

Rated Input Current • 6.6A/2.2A

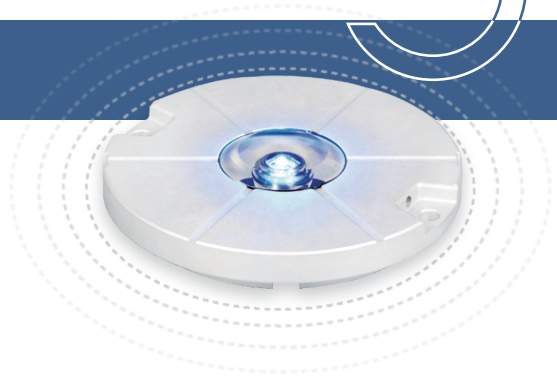
Power Consumption • 5.5VA

Power Factor • > 0.95

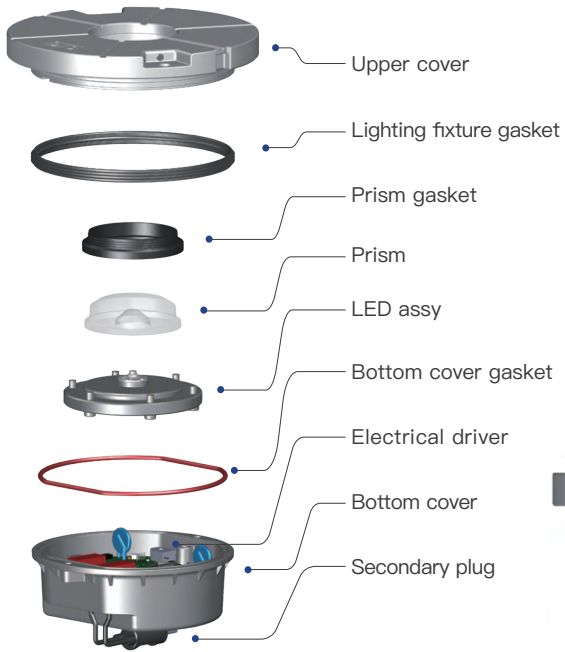
Immunity • IEC 61000-6-2

Emission • IEC 61000-6-4

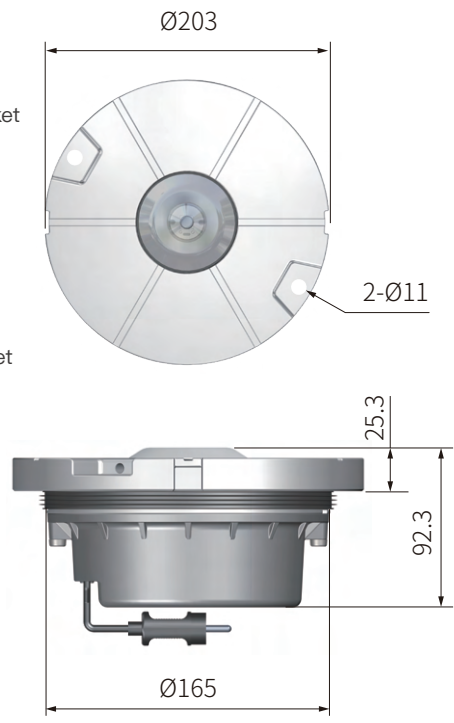
Service Life • LED useful lamp life $> 80000\text{h}$



COMPONENTS



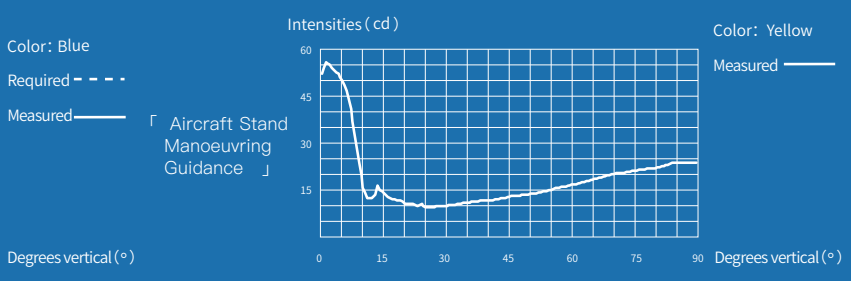
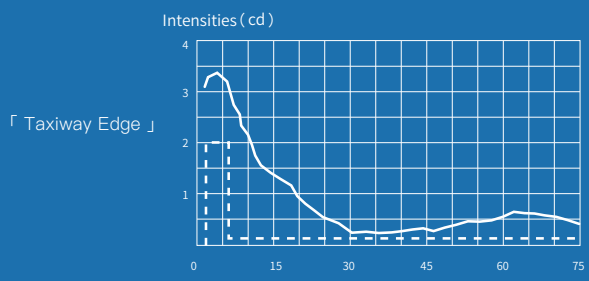
DIMENSIONS



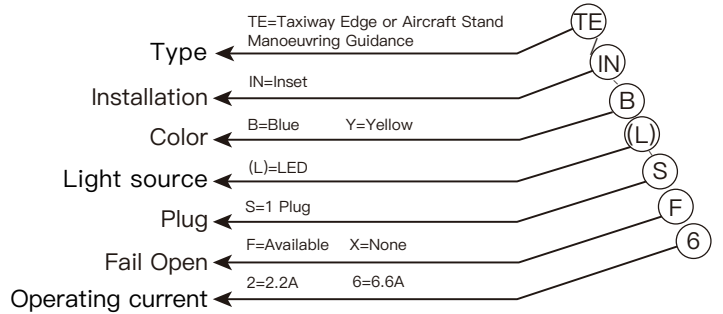
ACCESSORIES

- ◎ 8 inches shallow base assy (bottom entry/side entry)
- ◎ 12 inches shallow base assy (bottom entry/side entry)
- ◎ 12 inches deep base assy
- ◎ 12-8 inches adapter ring assy
- ◎ L-823 receptacle
- ◎ 8 inches light fixture handle

PHOTOMETRICS



ORDERING CODES



* Accessories should be ordered separately